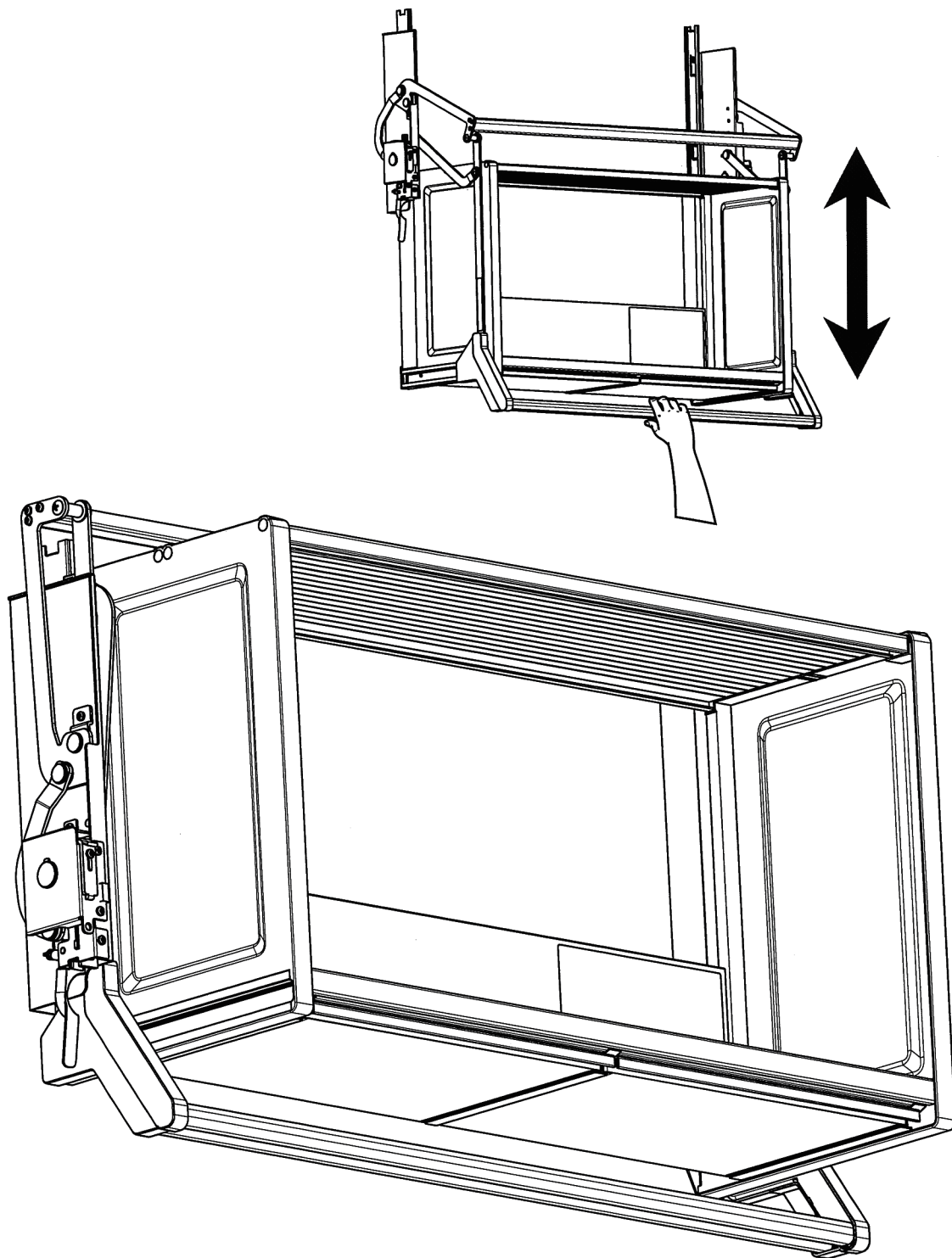


Linear-down

DAYDO

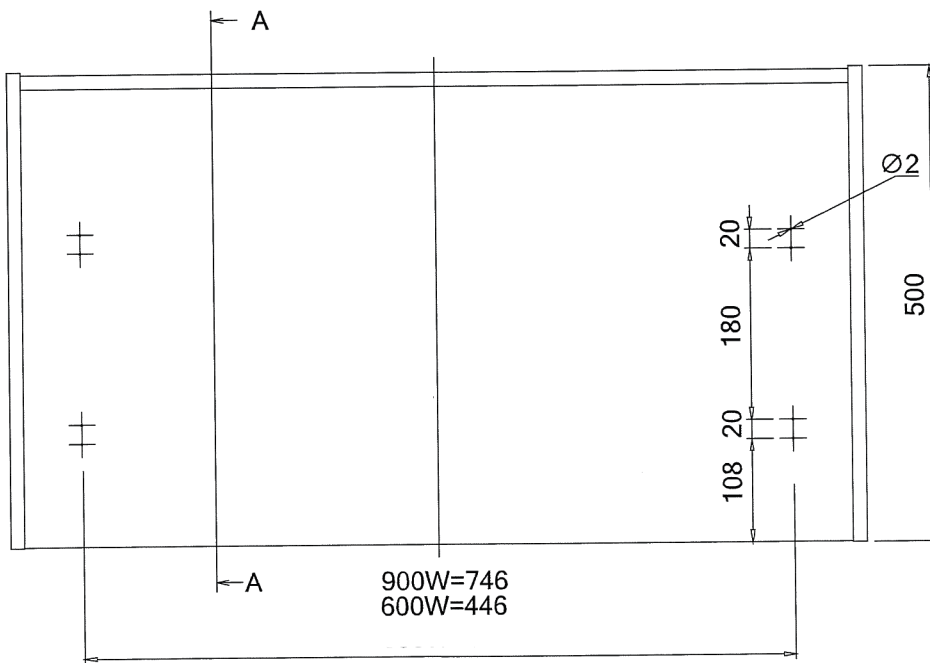
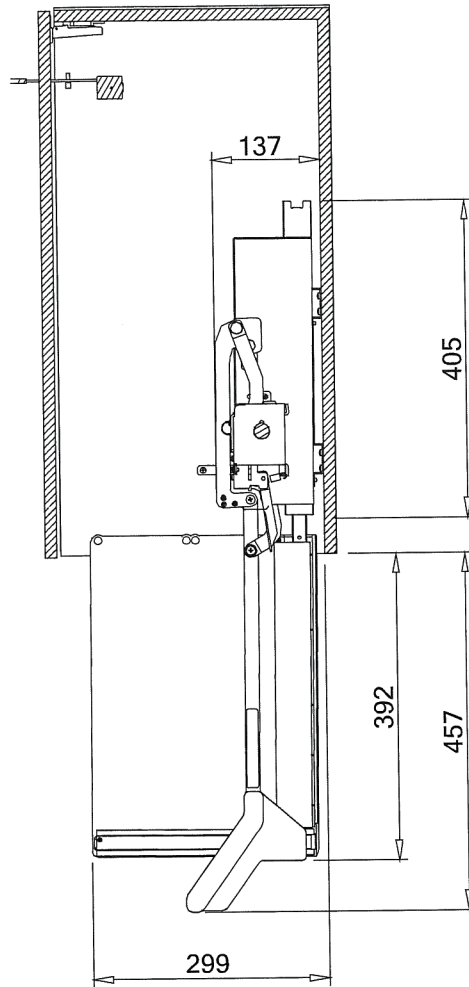
www.daydo.jp



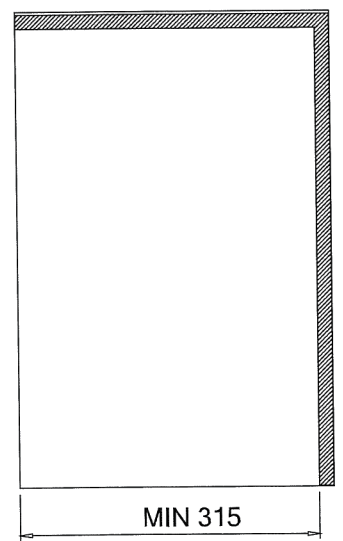
DAYDO co., Ltd.

250-2, Uwaracho, Kawachinagano-shi, Osaka, 586-0037, Japan

設計圖 Blueprint

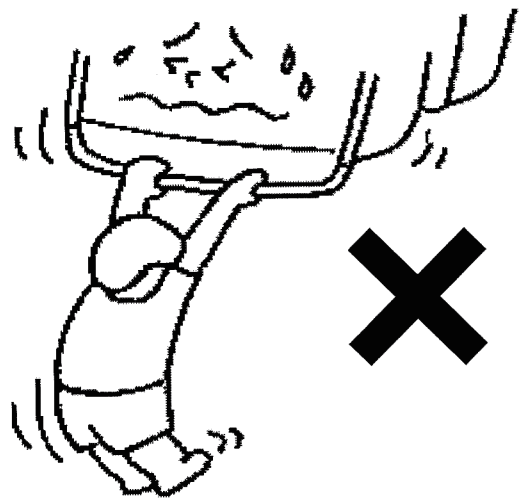
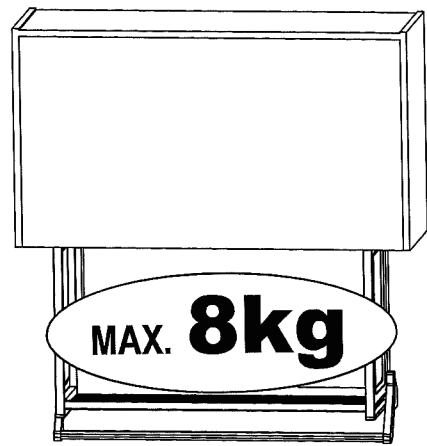
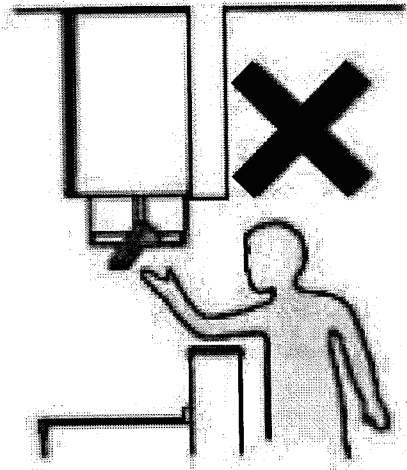


A-A (1:5)



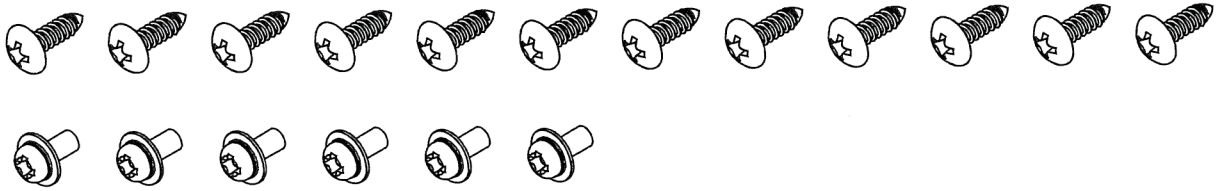
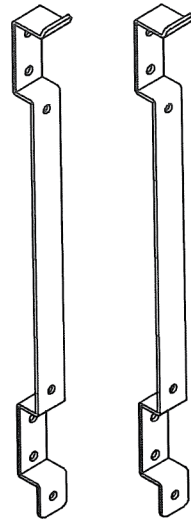
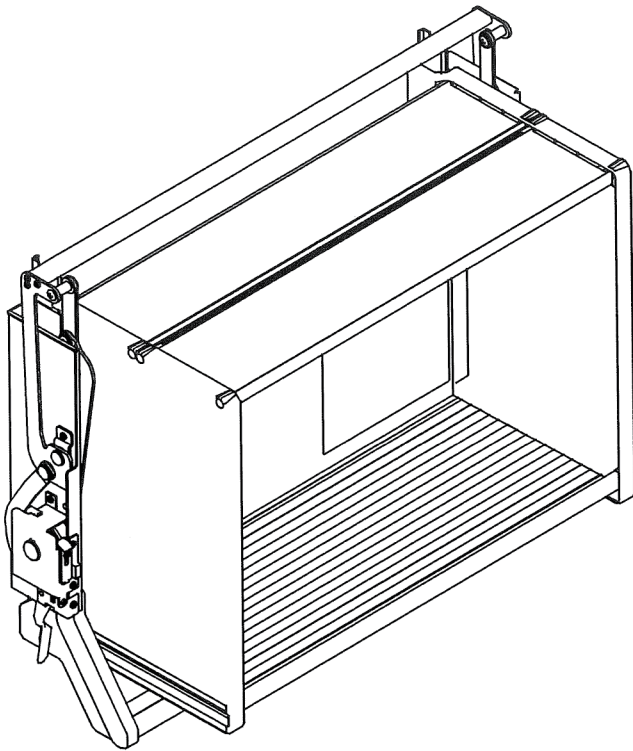
注意事項

Note



包括零件

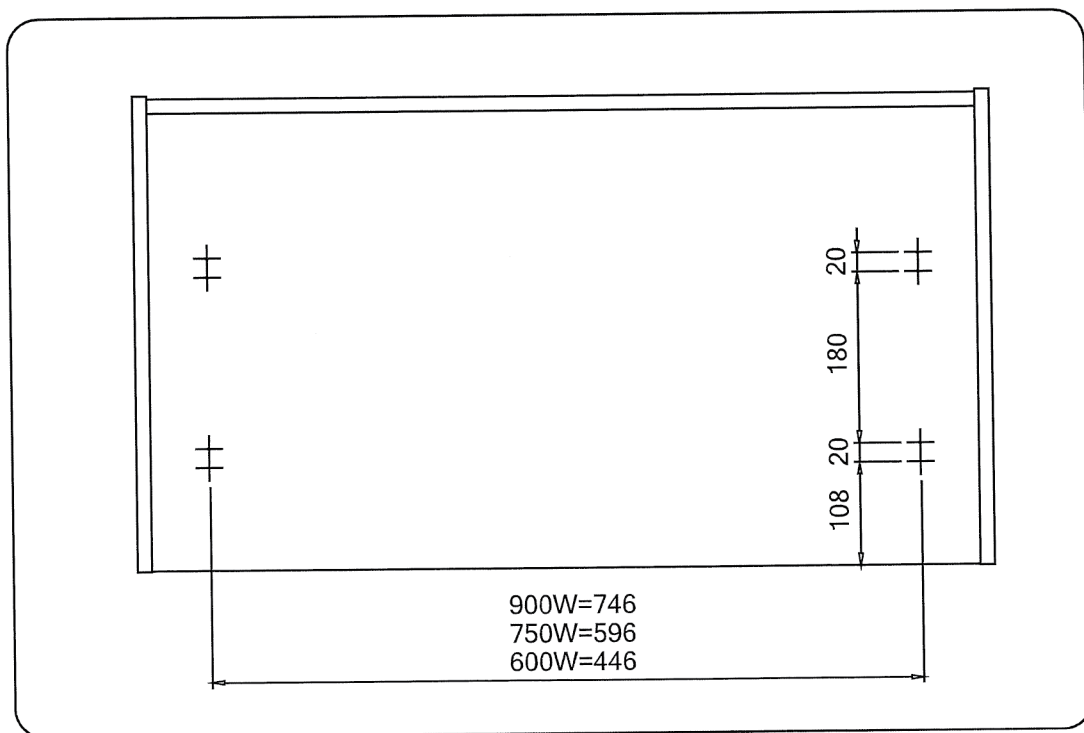
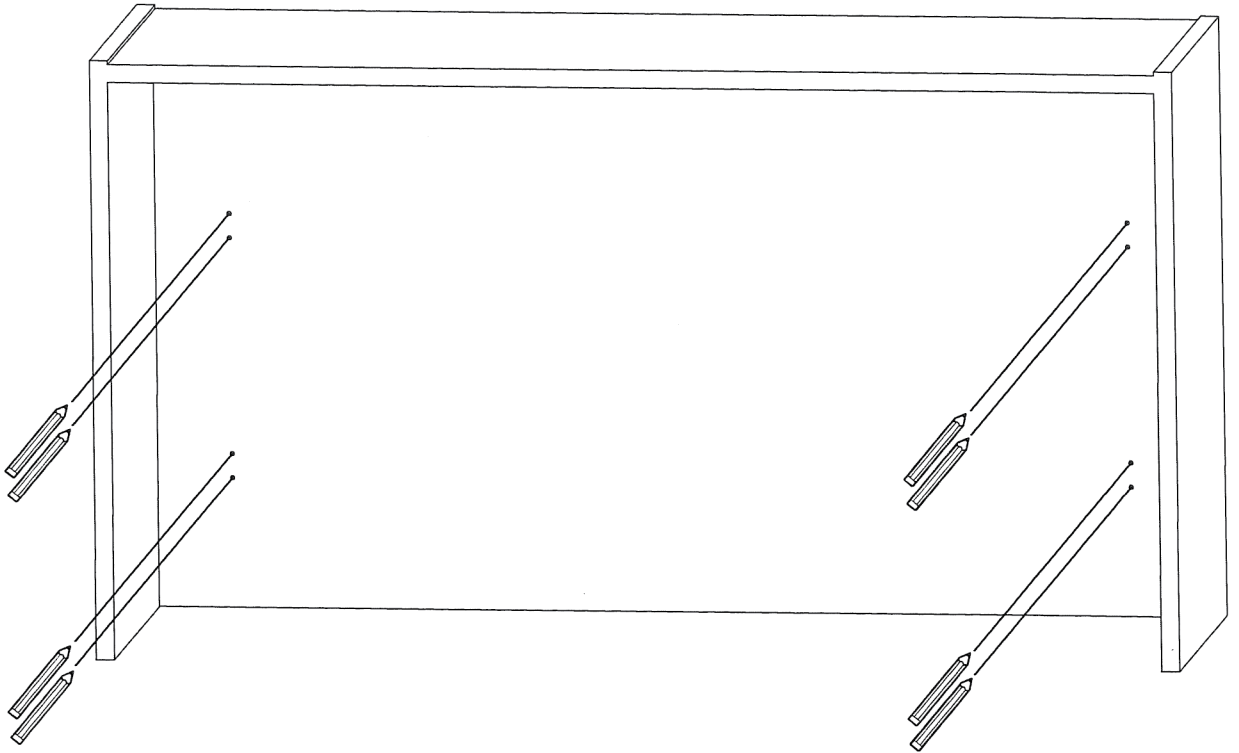
Included parts



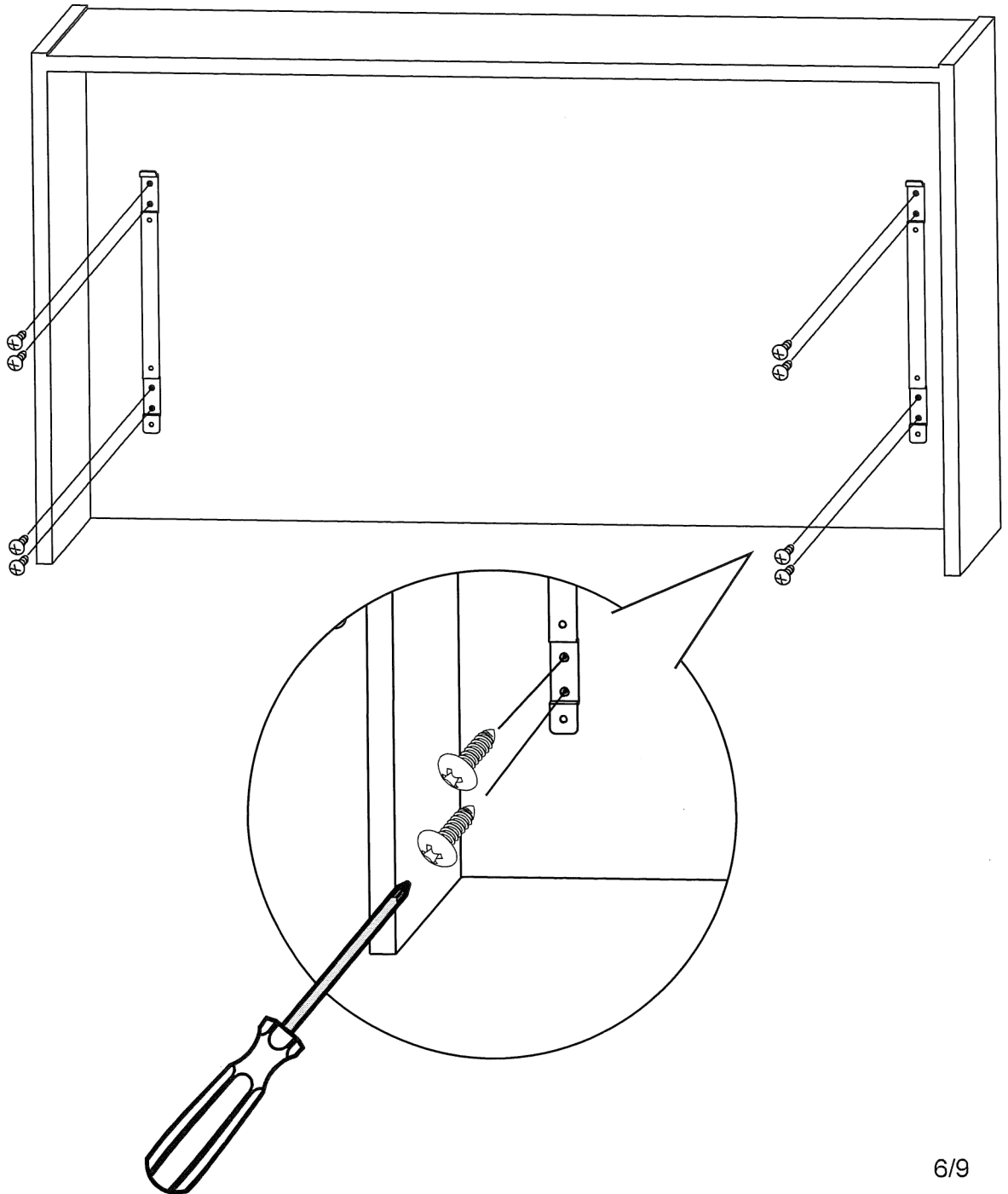
安裝方法

Mounting method

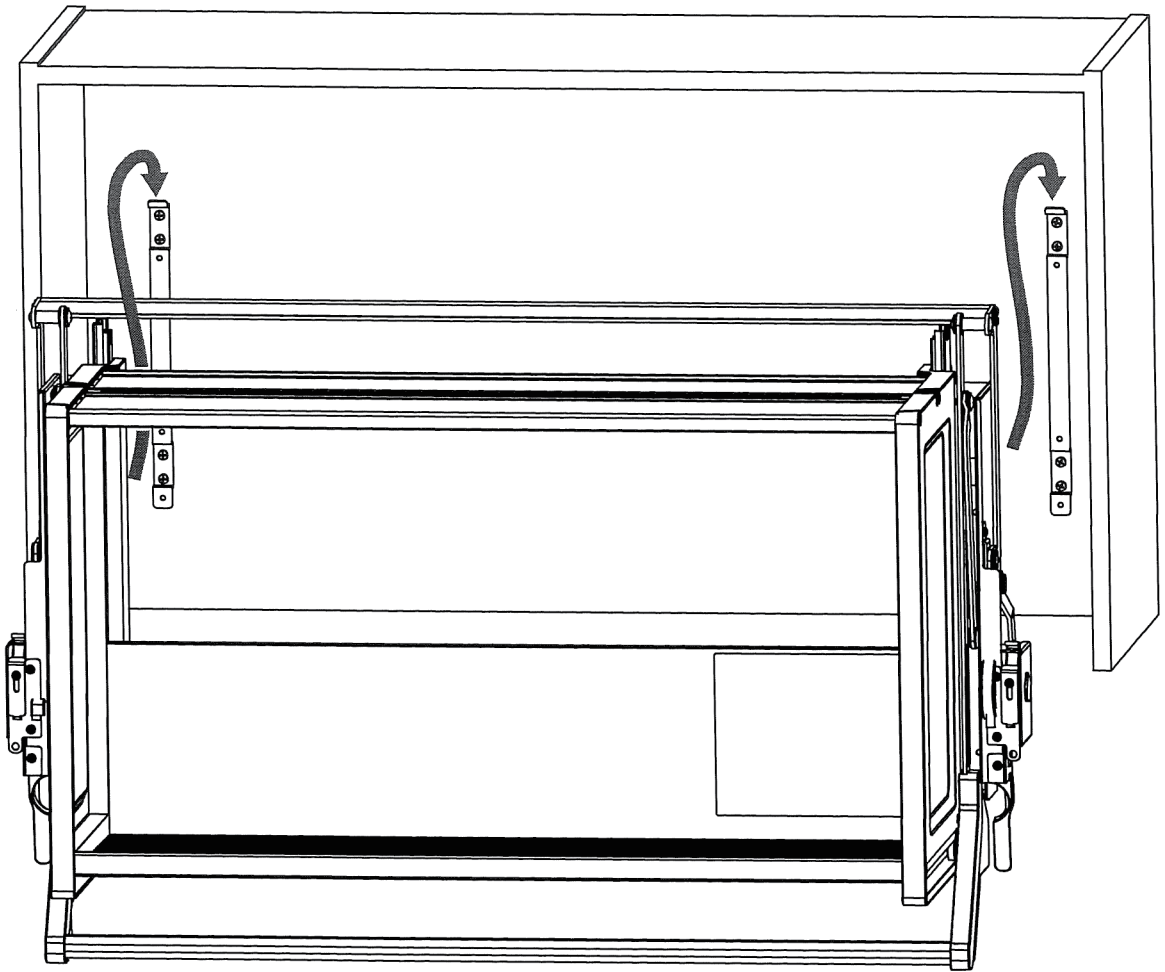
1



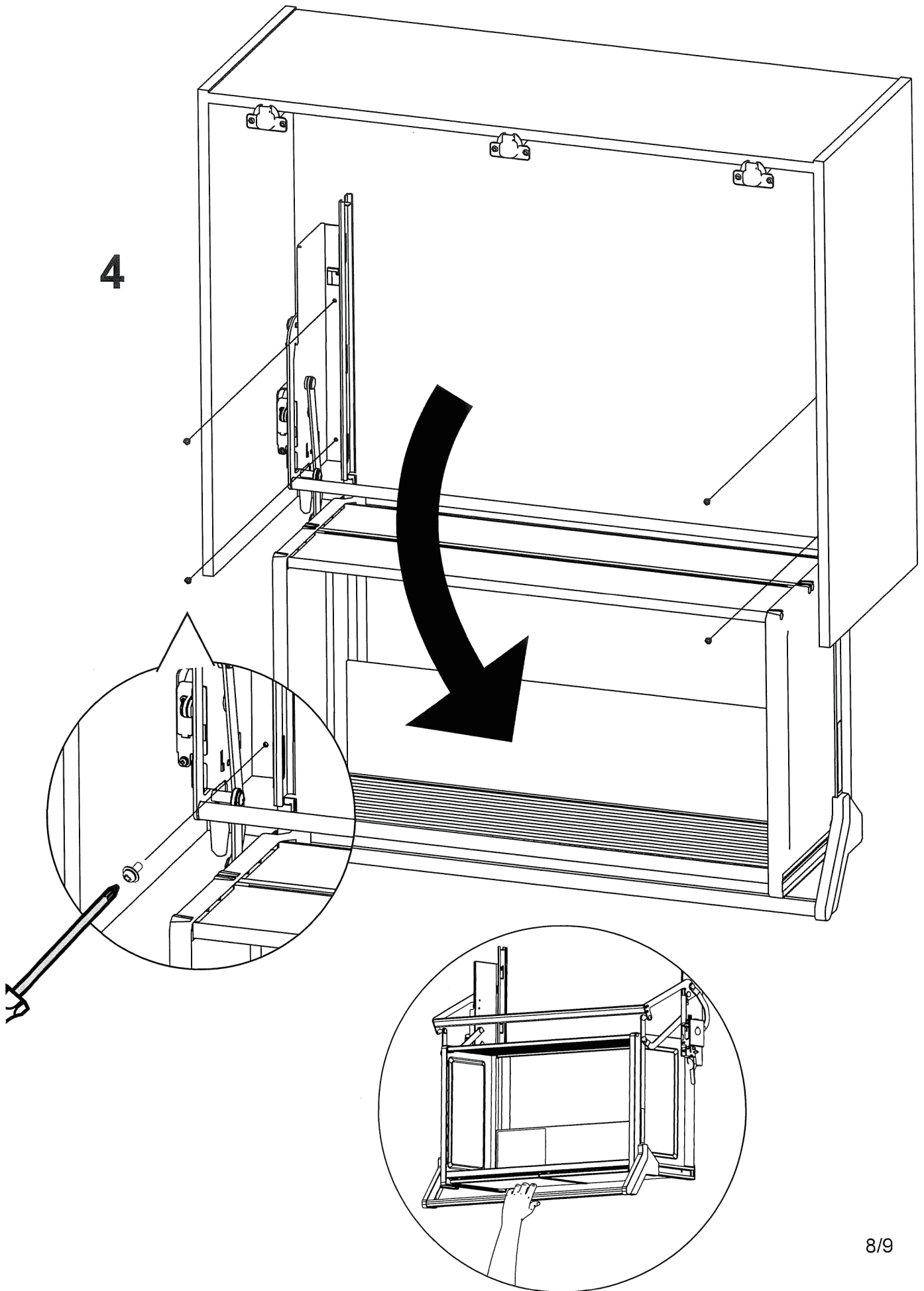
2



3

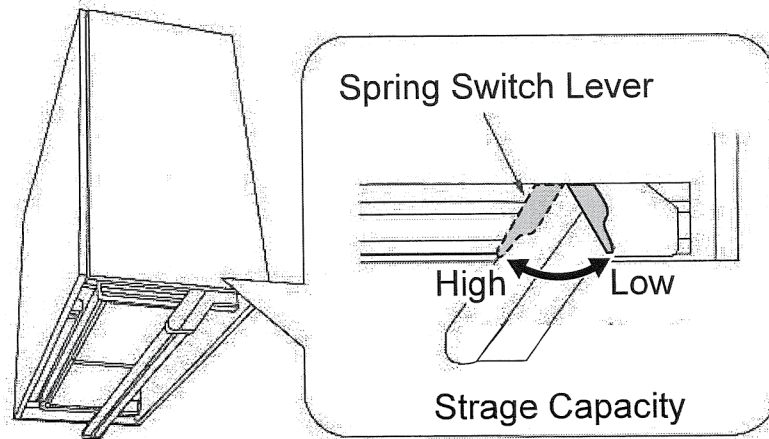


4



操作力調整方式

Operating force adjustment method



Storage weight	Left lever	Right lever
0 ~ 4 kg	Low	Low
4 ~ 7 kg	Low	High
	High	Low
7 ~ 8 kg	High	High